

1

2

3

4

5

6

A

A

B

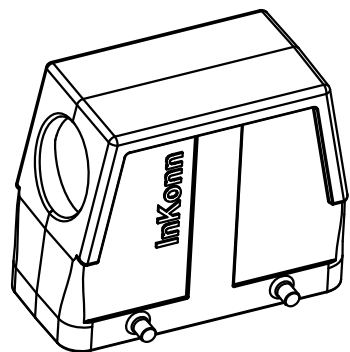
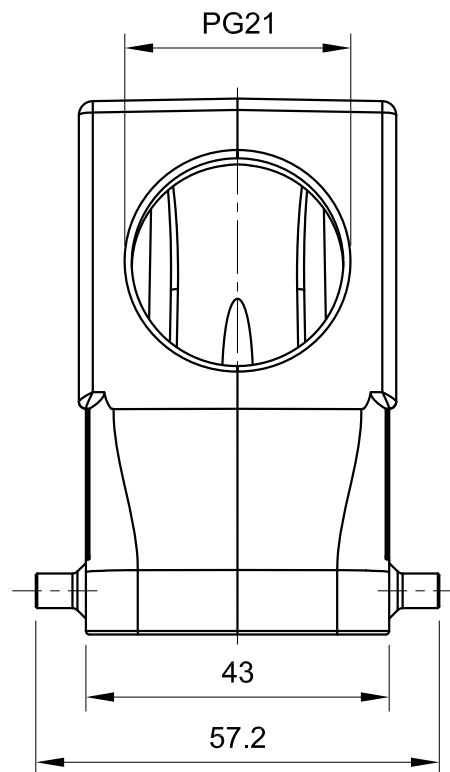
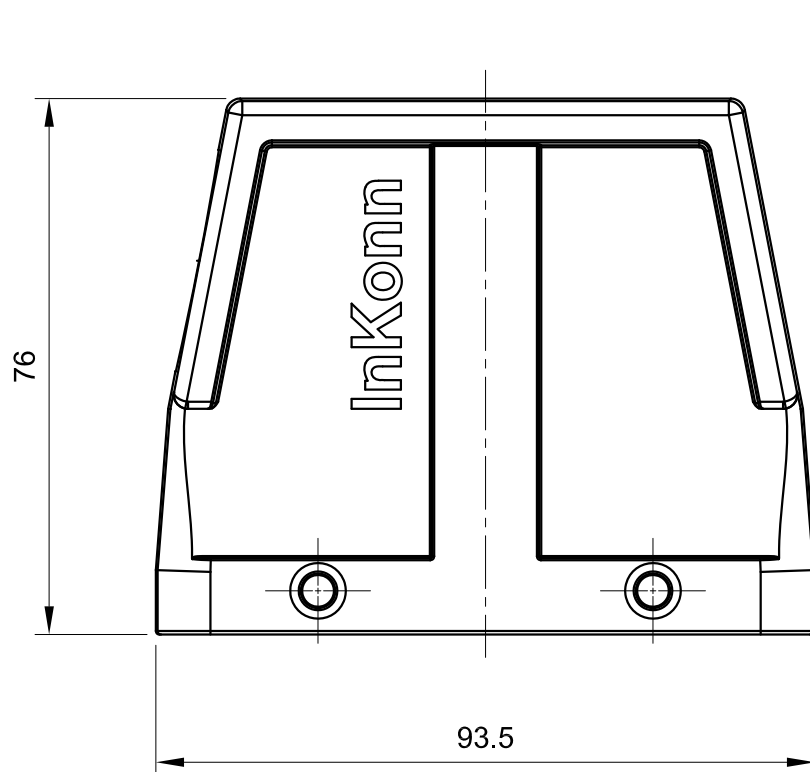
E



C

C

D

C



 InKonn (Suzhou) Electric Technology Co.,Ltd.	 All Dimensions in mm Original Size DIN A4	Date 2020-11-15	Drawing No. TC1731134	Rev. A00	Scale 1:1
	Part No. 10 11 816 1143	Created by Shuxu Huang	Checked by Yiyi Luo	Page 1/1	
Type Name HB16-HSE-QB-PG21					

1

2

3

4

5

6